

Ståltau og tilbehør

Steel wire rope and accessories

Wireklemme - U-bolt, galvanisert, DIN 741

Steel wire rope clamp - galvanized, DIN 741

NB! Må ikke brukes til løft.



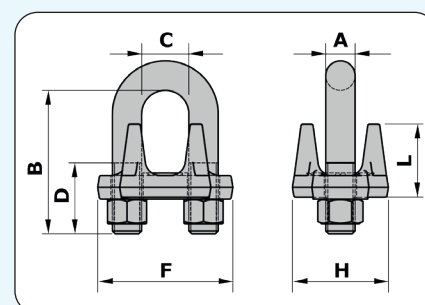
Artikkelnummer	Størrelse mm	Størrelse tommer	Vekt gram
0120203	3,0	1/8"	11,4
0120205	5,0	3/16"	11,5
0120206	6,5	1/4"	21
0120208	8,0	5/16"	41
0120210	10,0	3/8"	68
0120211	11,0	7/16"	72
0120213	13,0	1/2"	130
0120214	14,0	9/16"	135
0120216	16,0	5/8"	210
0120219	19,0	3/4"	280
0120222	22,0	7/8"	400
0120226	26,0	1"	440
0120228	28,0	1 1/8"	660
0120232	32,0	1 1/4"	850
0120238	38,0	1 1/2"	1 040

Wireklemme - U-bolt, galvanisert, U.S. Fed. Spec. FF-C-450

Steel wire rope clamp - galvanized, U.S. Fed. Spec. FF-C-450

I henhold til NS-EN 13411-5.

NB! Må ikke brukes til løft.



Artikkelnummer	For wirediameter		A mm	B mm	C mm	D mm	F mm	H mm	L mm	Vekt kg
	mm	tommer								
0120244	44 - 46	1 3/4"	29	146	78	70	134	97	74	4,2
0120252	48 - 52	2"	32	164	86	76	149	113	83	6,5
0120258	56 - 58	2 1/4"	32	181	98	81	162	114	81	7,3
0120264	62 - 65	2 1/2"	32	195	105	87	168	103	94	8,6
0120272	68 - 72	2 3/4"	32	211	111	90	175	127	124	10,0
0120276	75 - 78	3"	38	233	121	99	194	149	119	15,0
0120280	85 - 90	3 1/2"	38	273	140	114	213	157	152	19,0